

The Collaborator

As the collaborator, EasiShare facilitates file productivity and content collaboration without compromising data control and security policies in your organisation.

As a leading solution that enables enterprise content collaboration in your workplace, users can securely exchange large files, back up documents and seamlessly sync content across the web, desktops and mobile devices.

Key Technical Features

Productivity

- | | |
|-------------------------------|---|
| • Secure File Sharing/Request | Send and receive files quickly and securely to and from anyone inside or outside the organisation |
| • Sharing Management | Control file types, size, view-mode with two factor authentication, link expiry and watermark |
| • Attachment Conversion | Integrate with Microsoft Outlook to convert attachments |
| • Managed Collaboration | Check-in/check-out files, use versioning with housekeeping rules, manage folder role permissions |
| • Ease of Access | Distribute content and access data on any device and platform |
| • Backup and Recovery | Sync files selectively in real-time across desktops |

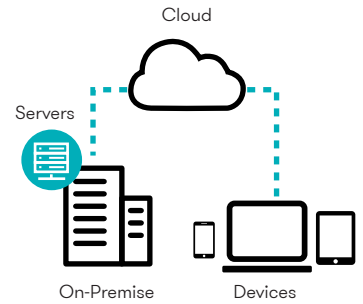
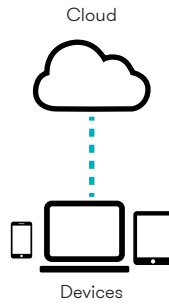
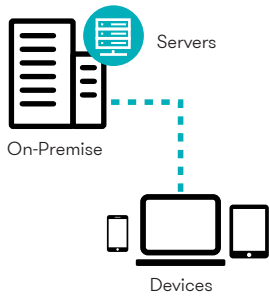
Security

- | | |
|--------------------------------|---|
| • Global & Individual Policies | Configure and change settings of the system or individual policies |
| • Admin Roles | Set different roles for administrators to manage the system |
| • Remote/Home Wipe | Lock devices or erase all stored files in the case of loss or theft |
| • Data Security Controls | Keep track of sensitive data with authentication, notification, expiration options and caching policies |
| • Comprehensive Audit Logs | Monitor and track all activities that happen in the system |
| • Admin Recycle Bin | Recover user deleted files from the admin console |
| • Enterprise-Ready Security | Protect data using 256bit AES encryption, SMS two factor authentication and TLS transmission |

Governance

- | | |
|-------------------------------|--|
| • Flexibility of Data Storage | Choose storage structure and environment and the associated compliance, integration, policies and controls |
| • Custom Branding | Customise user portal branding for company identification |
| • Storage Quotas | Set the amount of storage each individual user can use |
| • File Policies | Control the file types and sizes to be uploaded with TrueFileType analysis |
| • Integration Ready | Integrate with external systems using Comprehensive APIs |
| • Users Management | Integrate to Microsoft AD, EasiShare Authentication or a combination of both, with CAPTCHA verification |

Deployment Options



On-Premise

- Deploys entirely at your premise
- Integrates to your AD server
- Sets up on physical servers or virtual machines (VM)

Cloud

- Works on both IaaS and PaaS
- Utilizes your cloud subscription
- Optimised for cloud object storage
- Loads balances across multiple instances

Hybrid

- Works across on-premise and cloud
- Leverages servers on-premise like domain controllers, SAN, NAS
- Leverages on cloud for on-demand VMs scalability and regional point of presence

Storage Connectors

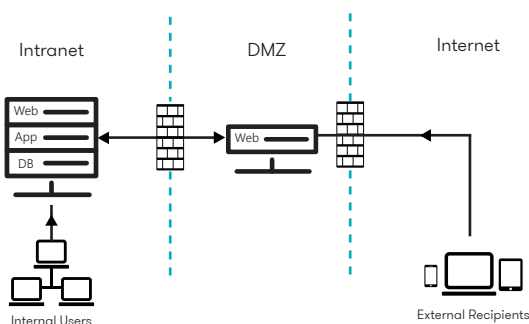
- On-Premise Connectors: Windows File Server, NAS, Local Drives, Microsoft Sharepoint, WebDAV, IBM Object Storage
- Cloud Connectors: Microsoft Office 365, Microsoft Azure, Amazon Web Services, AliCloud, IBM BlueMix

Choice of Architectures

Standard and Enterprise architectures are based on a three-tiered design with web, app and database components. Anti-virus integration, one-time password (OTP) and two-factor authentication (2FA) can be enabled.

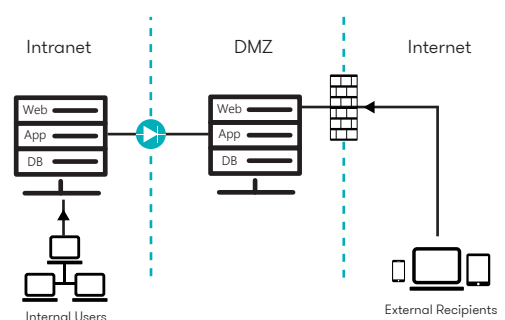
Standard

- Supports both internal and external collaboration
- Uses 2-way Web Services to bridge the Internal and DMZ EasiShare servers



Enterprise

- Designed for Air Gap environments
- Uses SFTP or Data Diode to bridge the Internal and DMZ EasiShare servers



About InspireTech

At InspireTech, we inspire ideas and imagination through smarter solutions. Through our convergent technologies that enhance productivity and workforce efficiency, we future-proof organisations of every size by revolutionising their digital workplace.

www.inspire-tech.com

inspiretech

SG:D
ACCREDITED

Email: sales@easishare.com

Singapore: 970 Toa Payoh North #05-03, (S)318992

UAE: Khalifa Park Area, Twofour54 Park, 769658, Abu Dhabi

USA: One Embarcadero Center Suite 500, San Francisco CA 94111